

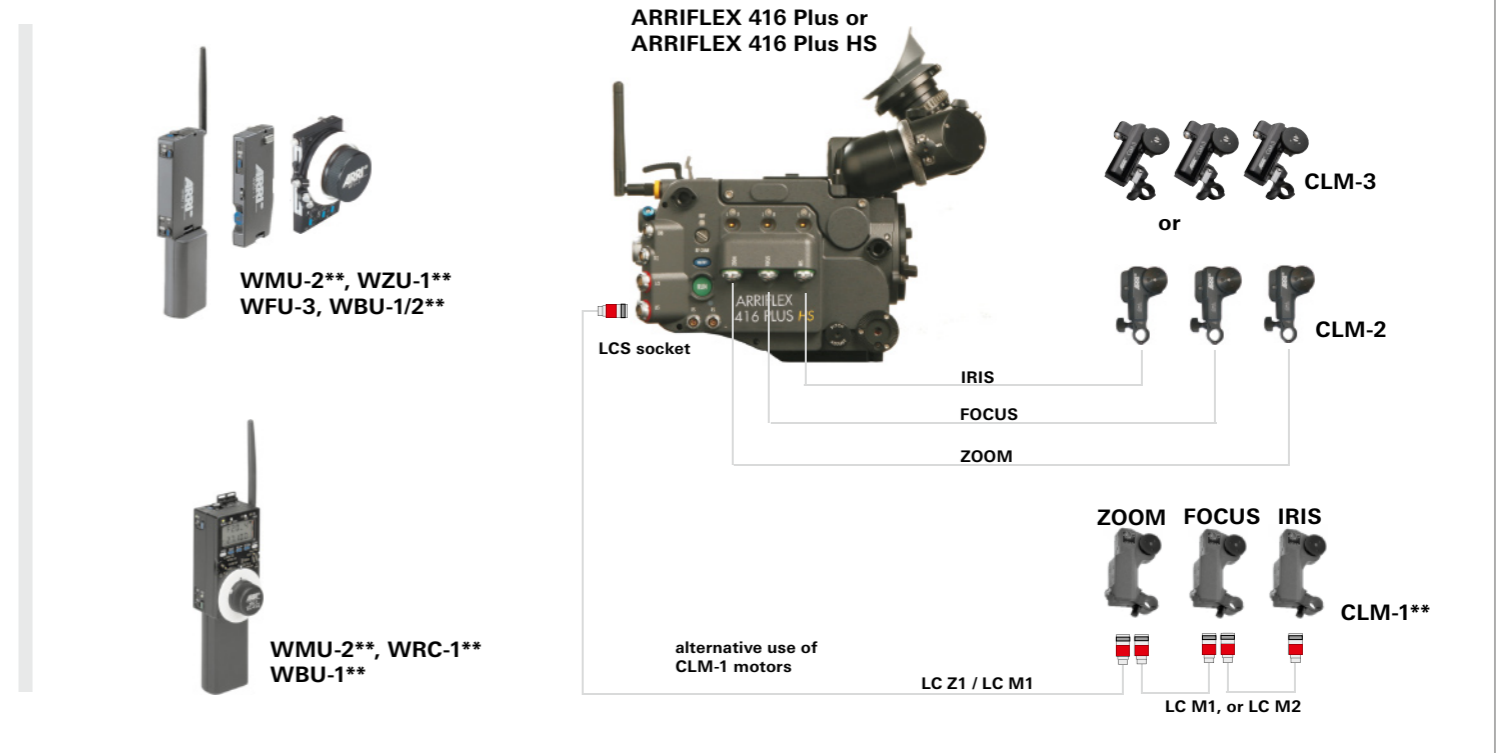
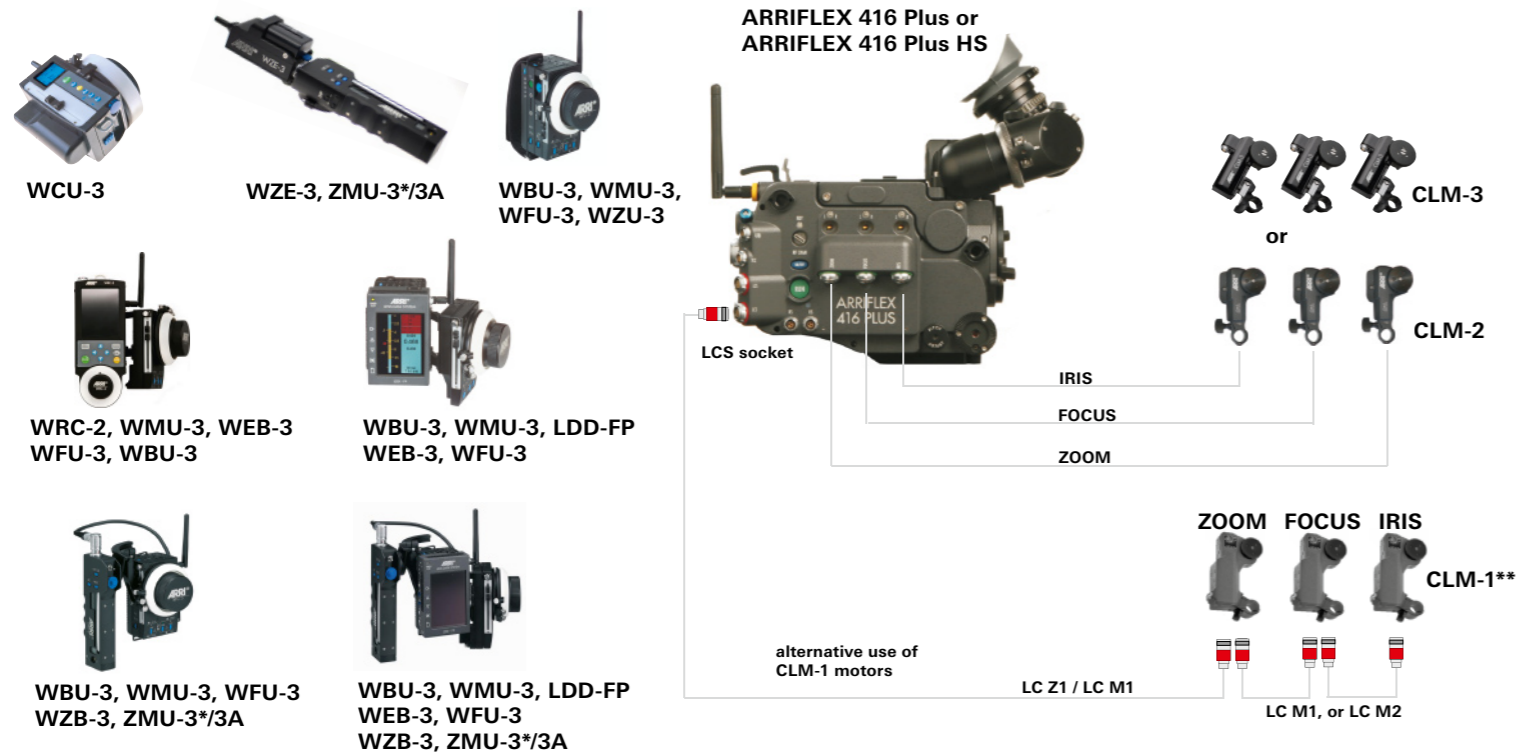
# ARRIFLEX 416 WRS Sample Configurations



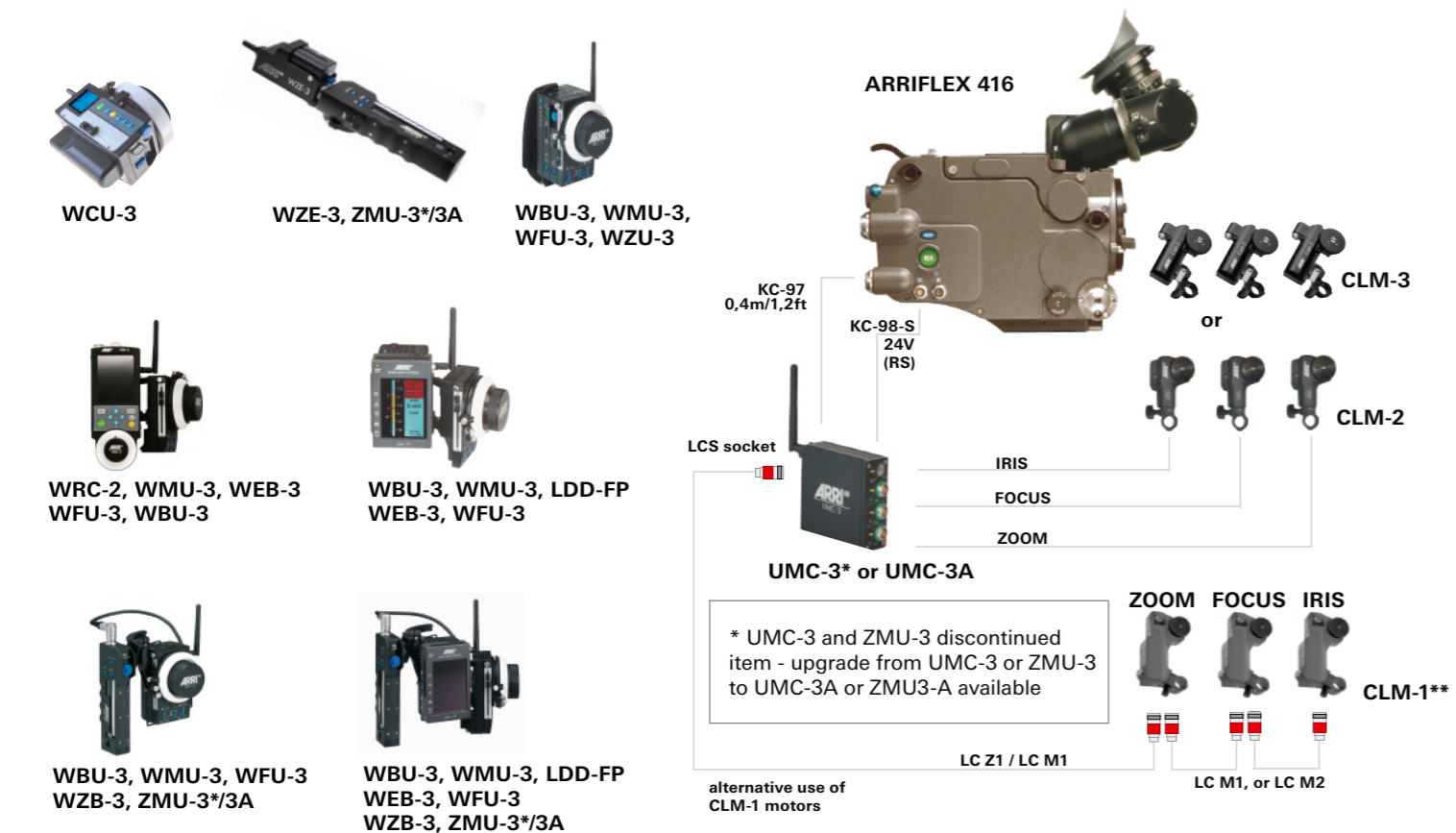
CONFIGURATION OVERVIEW – 1.8.1 / 2010.07

ARRI assumes no responsibility with regard to the performance or use of the products or typographical errors or inaccuracies of given information. Product specifications are subject to change without notice. For a full listing of all available components consult the price list.

## WRS for ARRIFLEX 416 Plus / 416 Plus HS



## WRS for ARRIFLEX 416 with UMC-3 or UMC-3A



## WRS for ARRIFLEX 416 with UMC-1 and URM-2 or URM-3

